


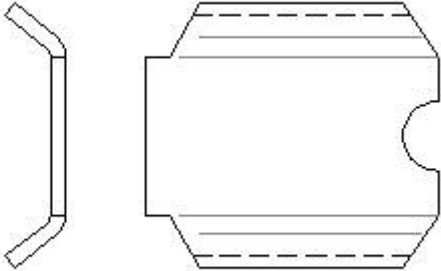
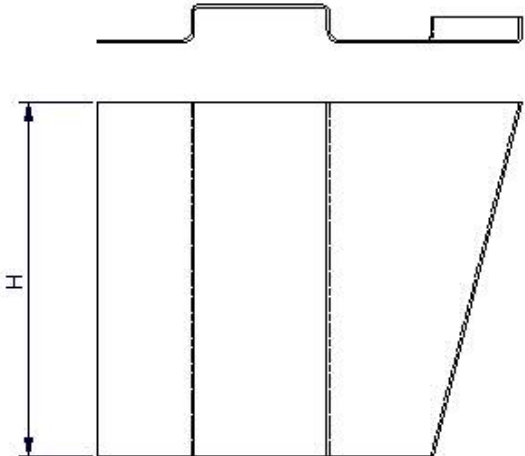
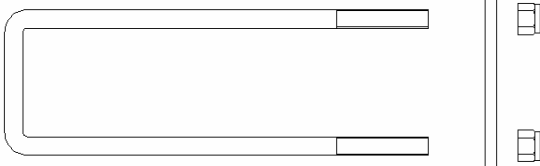
## MISCELLANEOUS HARDWARES



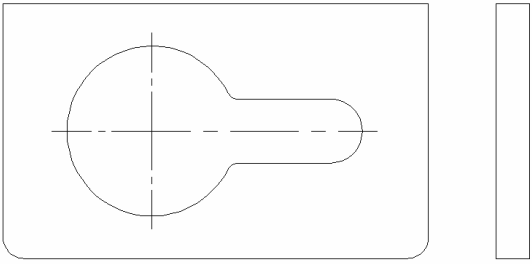



MISCELLANEOUS HARDWARE

	PART NO.	DESCRIPTION
	ALF -305P	<b>ANTILUCE FASTENER</b>
	70701	<b>SPRING BOLT</b>
	10-006	<b>DROP SIDE CAST HINGE &amp; GUDGEON</b>
		MCN60040-12  <b>STRAP HINGE &amp; T.T GUDGEON</b>

MISCELLANEOUS HARDWARE

	PART NO.	DESCRIPTION
	9193	<b>LASHING RINGS</b>
	SP0002	<b>GATE POCKET</b>
	SP0047	<b>QUARTER PANEL</b>  SIZES: H = 350mm H = 400mm H = 450mm
	SP0057	<b>5/8 U-BOLTS WITH SPREADER PLATE &amp; 2 NYLOC NUTS</b>  SIZES: 10'' TO 18''

MISCELLANEOUS HARDWARE

	PART NO.	DESCRIPTION
	<p>SP0081</p>	<p><b>KEYHOLE PLATE CHAIN HOLDER – FURNITURE TAILBOARD</b></p>
		<p><b>ALUMINIUM RATCHET CURTAIN TENSIONER</b></p> <p>SIZE AVAILABLE:</p> <ul style="list-style-type: none"> <li>★ 100mm (SMALL)</li> <li>★ 140mm (LARGE)</li> </ul>
 <p>Model RO2 <b>DOUBLE RATCHET</b></p>	<p>RO2</p>	<p><b>DOUBLE RATCHET CURTAIN TENSIONER</b></p>
 <p>Model RO3 <b>C-HANDLE RATCHET</b></p>	<p>RO3</p>	<p><b>C-HANDLE CURTAIN RATCHET TENSIONER</b></p>

MISCELLANEOUS HARDWARE

	PART NO.	DESCRIPTION
		<p><b>SILVERCAP RATCHETING WINCH</b></p>
	<p>49203-21</p>	<p><b>DOUBLE BOSS WINCH c/w 50mm x 9.14m STRAP</b></p>
		<p><b>WINCH STRAP</b></p>
		<p><b>TOOLBOX</b></p> <ul style="list-style-type: none"> <li>★ 600 x 450 x 450</li> <li>★ 900 x 450 x 450</li> <li>★ 1170 x 450 x 450</li> <li>★ 1170 x 550 x 550</li> </ul>

MISCELLANEOUS HARDWARE

	PART NO.	DESCRIPTION
		<p><b>SLIDING POST ROLLER KIT</b></p>
		<p><b>GATE RESTRAINT SYSTEM KIT</b></p>
	<p>B01</p>	<p><b>OVER CENTRE BUCKLE – BLACK BUTTON</b></p>
	 <p>Optional Detail</p>	<p><b>BUCKLE STRAP – COAMING COATED</b></p> <p>A=780mm B=18mm A= 880mm B=18mm</p> <p>BS/H01CC//GREY/780 BS/H01CC//GREY/880</p>

MISCELLANEOUS HARDWARE

	PART NO.	DESCRIPTION
	<p>BS/H02TC//GREY/780 BS/H01TC//GREY/880</p>	<p><b>BUCKLE STRAP – TIERAIL COATED</b></p> <p>A=780mm B=80mm A= 880mm B=80mm</p>
	<p>H01CC</p>	<p><b>COAMING HOOK - COATED</b></p>
	<p>H02TC</p>	<p><b>TIERAIL HOOK - COATED</b></p>
	<p>SC01ASSEM</p>	<p><b>SHROUD COVER ASSEMBLY - BLACK</b></p>

MISCELLANEOUS HARDWARE

	PART NO.	DESCRIPTION
	CR/F	<b>TYPE F RING ROLLER</b>
	CR/F/B	<b>TYPE F RING ROLLER (BEARING)</b>
	CR/EG	<b>EASY GLIDE ROLLER (BEARING)</b>
		<b>PELMET</b>  AVAILABLE IN BLACK OR WHITE



MISCELLANEOUS HARDWARE

	PART NO.	DESCRIPTION
	<p>SP0090</p>	<p><b>FRONT CORNER STAINLESS STEEL CAP – CURTAINSIDER BODY</b></p>
	<p>SP0078L SP0078R</p>	<p><b>REAR CORNER STAINLESS STEEL CAP – CURTAINSIDER BODY</b></p>
		<p><b>GATES (DURAGAL OR ALUMINIUM)</b></p> <p>STOCK SIZES: ★ 1720W x 1500H ★ 1950W x 1500H</p>